

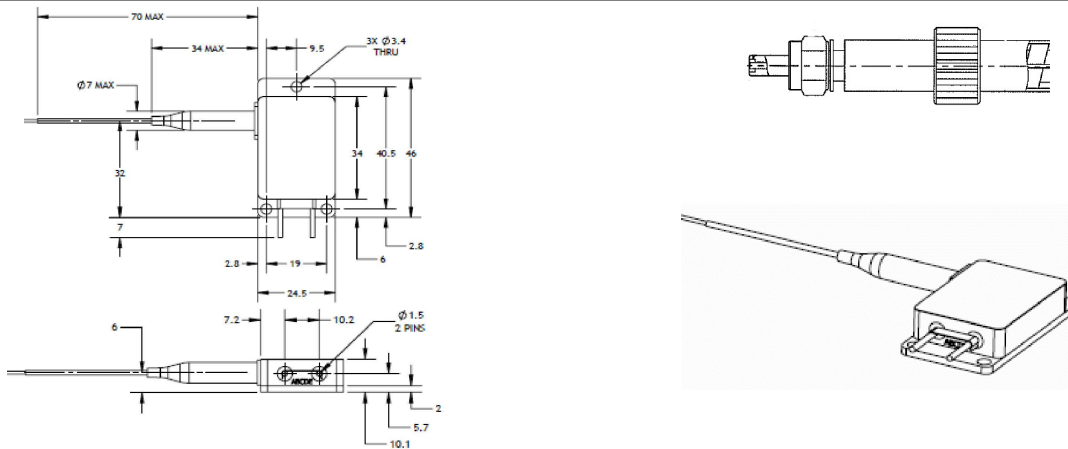
# SMA Terminated Laser Module

**Item Number** ST-040-9xx-105-5-1.5-SMA-R01  
**Item Description** DIRECT DIODE 70W SPECIFICATION

**ECCN:** EAR99 <sup>1</sup>

	Units	Lower Spec	Typical	Upper Spec
<b>Optical</b>				
CW Output Power (in fiber)	W	40	40	35
CW Output Power (as measured)	W	34	34	30
Wavelength Centroid	nm	915	940	976
Spectral Width (FWHM)	nm		3.9	7.0
Power within 0.17 NA	%		95	
Fiber Core / Clad Diameter	um		105 / 125	
Fiber NA / Index Type	-		0.22 NA / Step Index	
<b>Electrical</b>				
Electrical-to-Optical Efficiency	%		46	
Threshold Current	A			1
Operating Current	A		15.0	15.0
Operating Voltage	V		5.1	6.1
<b>Mechanical</b>				
Mass <sup>3</sup>	g		60	
Fiber Length	m	1.5	2.0	2.1
Fiber Bend Radius (Active / Storage)	mm	25		
Fiber Jacketing	-		Stainless Steel or Hytrel	
Fiber Termination	-		SMA	
<b>Thermal</b>				
Thermal Resistance <sup>4</sup>	C/W		1.1	
Waste Heat	W		42	
Operating (Housing) Temperature <sup>2</sup>	°C		+30	
Wavelength Temperature Coefficient	nm / C		0.35	
Wavelength Current Coefficient	nm / A		0.9	

## Outline Drawing



## Notes

- <sup>1</sup>Export Control Classification Number (ECCN) as defined by the Export Administration Regulations (EAR)
- <sup>2</sup>Operating temperature defined by the water temperature and ambient temperature. Acceptable operating range is 20 - 35C, but performance may vary
- <sup>3</sup>Does not include mass of fiber
- <sup>4</sup>Clean water with 100um filter



819 SE 14th Loop, Suite 101K - Battle Ground WA 98604 USA  
[www.sakartek.com](http://www.sakartek.com) - [sales@sakartek.com](mailto:sales@sakartek.com)